

# FILL-RITE PRECISION METERS

## ELNC Electronic Register

- NEMA 4X (water & dust proof) enclosure
- 6 digit reset total
- 8 digit accumulative totalizer
- AC, DC or Battery
- Optional RATE (per min) display
- Optional scaled pulse signal & backlit LCD



### Specifications

- Display:**
- 6 digit reset total**  
With programmable decimal (0, 1, 2 or 3).  
Displayed on 1" (25 mm) LCD segment.
- 8 digit accumulative totalizer**  
While processor tracks decimals, the totalizer displays in whole units, as decimals have no significance once total exceeds 1000 units.  
Displayed on 3/8" (9.5 mm) LCD segment.
- Optional RATE (volume/min) display**  
Standard function with update every 4-5 sec.; activated only when requested (please consult if field activation is required).  
When activated, the flow rate displays alternately with reset total (press RESET during flow to switch display). When the display shows the flow rate, RATE icon appears at left. Displayed with 0 or 1 decimal.
- Icons**
- Identifiers for common units of volume:  
GALLONS  
LITER  
BARRELS  
blank for any other unit
  - RATE When flow rate is displayed
  - BAT Low battery warning
- K Factor:** 1.00 - 9,999
- Power:** **12-24 VDC, 110/220 VAC** or two **C size 3.6V lithium batteries\*\***  
Capacitor preserves memory while battery is changed, unless the battery has been allowed to discharge fully.
- Power Saver mode extends battery life by turning the LCD off if no pulse signal has been received for 60 seconds. It powers up automatically when pulse signals resume (or RESET button is pressed).
- Temperature:** Processor: -40° to +158°F (-40°/+70°C).  
LCD : -13° to +158°F (-25°/+70°C).  
Between -40°F & -13°F (-40°C & -25°C), the LCD might lag behind processor value.

### Input:

Accepts input form both contact closure (reed switch) and solid state (Hall Effect) pulsers with sink signal. Add pull-up resistor for use with sourcing pulse signal.

**\*\* Ordering BATTERY POWERED as replacement or retro-fit, please specify whether for use with:**

**Reed Switch pulser**

**Hall Effect/12VDC** (1.0K  $\Omega$  pull-up resistor)

**Hall Effect/24VDC** (2.4K  $\Omega$  pull-up resistor)

**Frequency** Contact closure (reed switch): Max. 100 Hz  
Solid state (Hall Effect) pulser: Max. 500 Hz

**Duty Cycle** 50/50

**Approvals:** NTEP (US) for Custody Transfer service.

**Mounting:** 8.4" deep case with V-R bolt pattern  
6.3" deep case for remote installation, or for mounting on TM Series meter pulser.

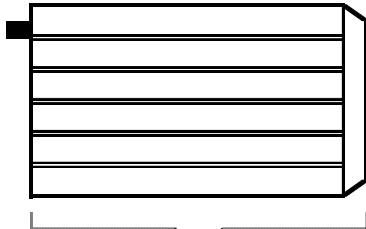
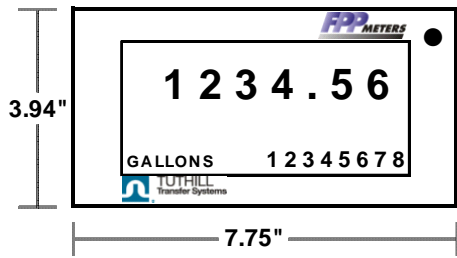
### Optional:

- Scaled pulse signal (1 or 10 pulses/unit) and backlit LCD
- Explosion proof AC power supply/barrier\* to permit use in hazardous zone.

\* = Barrier is UL listed;  
the ELNC register is not UL listed.

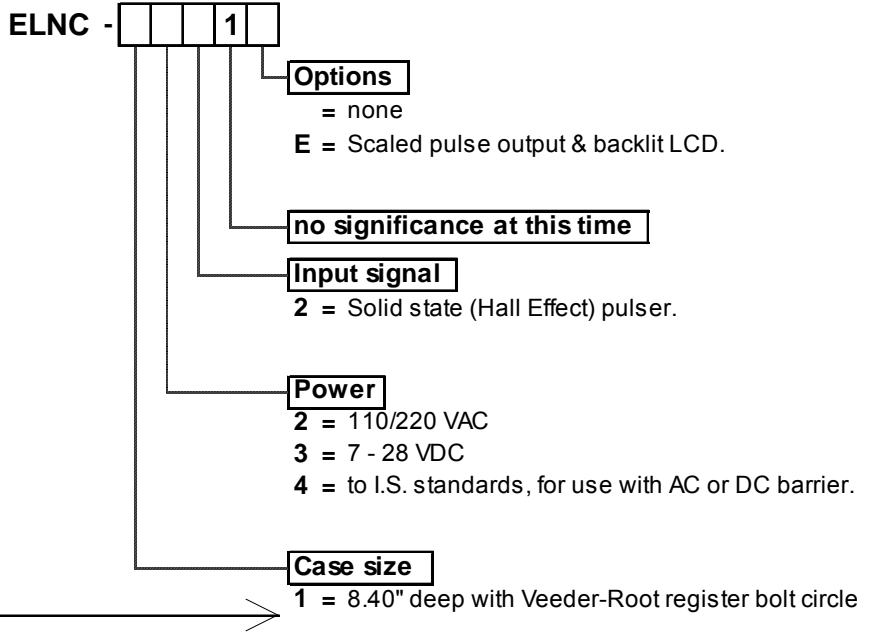


**Dimensions:**



All dimensions are in inches. 1" = 25.4 mm

**Part Numbers:**



Tuthill Transfer Systems,  
8825 Aviation Drive,  
Fort Wayne, IN 46809, USA

Phone: 260-747-9060  
800-634-2695  
Fax: 260-747-3159  
E-mail: FPPWebInquiries@tuthill.com

**International offices:**

	Phone	Fax
Europe, Middle East & Africa	+44 (115) 932-5226	+44 (115) 932-2526
Mexico	+52 (81) 8355-5535	+52 (81) 8355-5534
Caribbean/Central America	+52 (81) 8355-5535	+52 (81) 8355-5534
South America	+54 (11) 4866-5641	+54 (11) 4866-5641
Australia/Pacific Rim	+61 (3) 9720-6533	+61 (3) 9720-6880
China	+86 (21) 5385-3369	+86 (21) 5385-3365
India, Pakistan, Bangladesh	+52 (81) 8355-5535	+52 (81) 8355-5534