



neptune Type 40

1 1/4" Type 40

1 1/2" Type 40



1 1/2" Type 40 with 800 Series Register

DESCRIPTION

Because of the value and volume of product metered in any bulk plant or truck operation, errors are so costly, For this reason, accuracy is the most important criteria in flowmeter selection.

Red Seal 1 1/4" and 1 1/2" Refined Fuel Flowmeters provide accurate and convenient measurement of refined petroleum products for cost control, loss prevention and invoicing. These rugged positive displacement flowmeters incorporate the Red Seal refined fuel measuring chamber which has only one moving part -- the oscillating piston.

Installation is easy, calibration is quick, cleaning is simple and maintenance costs are low. Red Seal Refined Fuel Flowmeters give you many outstanding features, but none more important than sustained accuracy year after year.

FLOW RATE

1 1/4": 5.8 to 30 gpm (22 to 114 lpm)
Measurement Canada
5 to 30 gpm (19 to 114 lpm)
NCWM

1 1/2": 10 to 50 gpm (37.8 to 189 lpm)
Measurement Canada
12 to 60 gpm (45 to 227 lpm)
NCWM

TEMPERATURE

140°F (60°C) maximum.

OPERATING PRESSURE

125 psi (9 bar) maximum.

DIRECTION OF FLOW

The user may set the register in the desired position by following directions furnished with the flowmeter. Direction of flow in flowmeters will be from left to right (RH Assembly) unless otherwise specified.

CONNECTIONS

1 1/4" Type 40: Flanged. Companion flanges furnished tapped for 1 1/2" standard pipe unless 1 1/4" tapping is ordered.

1 1/2" Type 40: Non-auto stop -- flanged. Companion flanges tapped for 1 1/2" standard pipe. Auto-stop -- inlet flanged, with companion flange tapped for 1 1/2" standard pipe. Valve outlet tapped for 2" standard pipe.

UNITS OF MEASURE

Calibration is in U.S. gallons, but imperial gallons, liters, and other unit indications can be provided on order where the mechanism permits.

RESET WHEEL CAPACITY

9,999.9 gallons on direct Reading Registers.

PRESET SETTING CAPACITY

9,999 gallons on Models 832 and 834.

PRINTING WHEEL CAPACITY

9,999.9 gallons Models 833 and 834.

TOTALIZER CAPACITY

9,999,999 gallons -- standard.

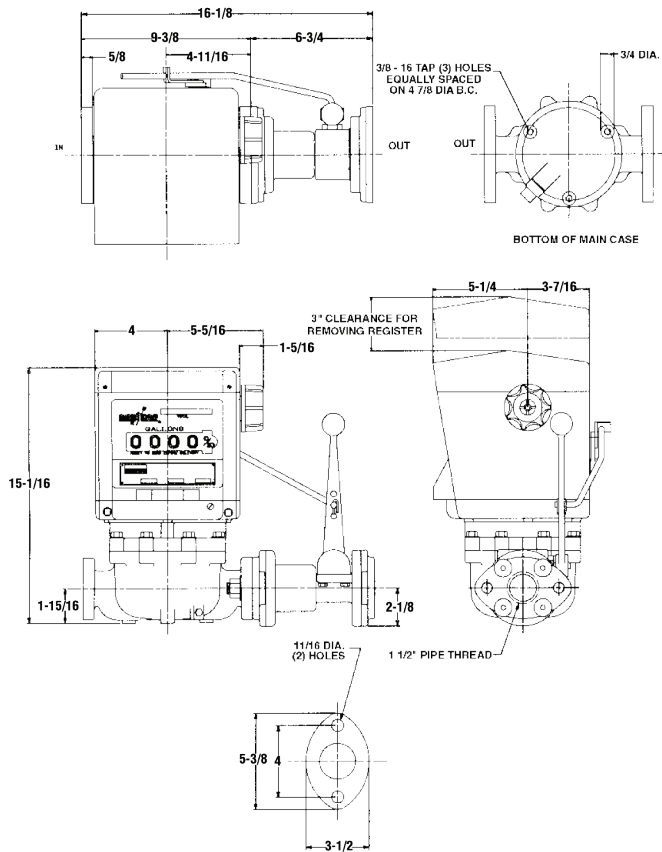
MATERIALS

Casings -- non-ferrous. |Interior mechanism -- corrosion-resistant metals. | Housing -- Aluminum
Measuring Chamber -- Bronze
Piston -- Aluminum Dynamic Seals --
Fluorocarbon Static Seals -- Nitrile

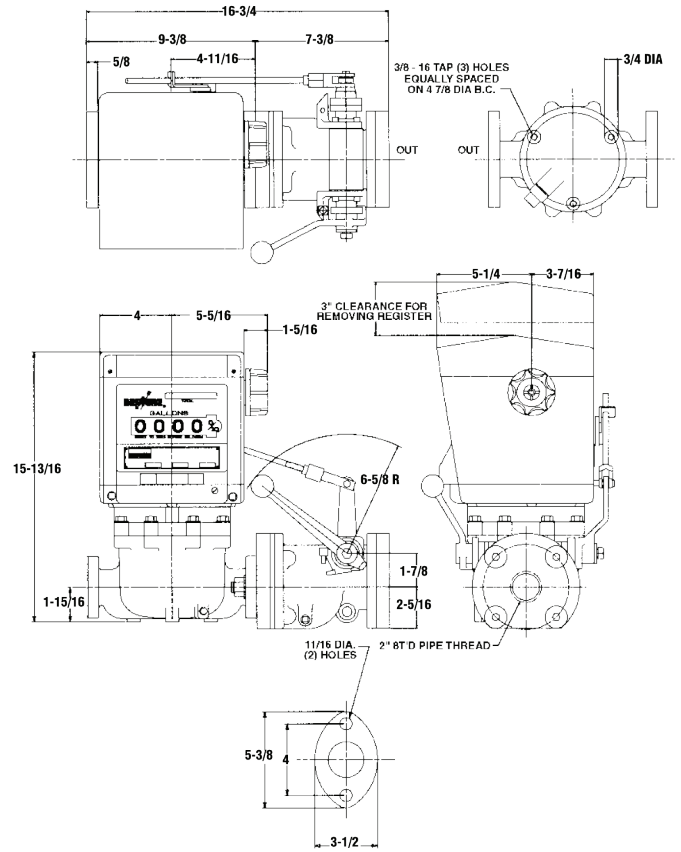
1/4" - INCH				TYPE 4 FLOWMETER				1/2" - INCH				
Part Number	Weight Lbs. (Kgs.)	Dimensions -- Inches			Register Model No.	Type of Register	Part Number	Weight Lbs. (Kgs.)	Dimensions -- Inches			Register Model No.
		Length	Width	Height					Length	Width	Height	
RP125114RGGS	65 (29)	20 ^{3/8} (51 ^{3/4})	10 (25 ^{3/8})	15 ^{1/8} (38 ^{3/8})	834 (844)	Direct Reading Reset Counter with Single-Trip Preset "Zero-Start" Printer and Totalizer	RP150114RGGS	70 (32)	22 ^{1/8} (56 ^{3/16})	10 (25 ^{3/8})	153/4 (40)	834 (844)
RP125114RGBS	61 (28)	20 ^{3/8} (51 ^{3/4})	10 (25 ^{3/8})	15 ^{1/8} (38 ^{3/8})	832 (842)	Direct Reading Reset Counter with Single-Trip Preset and Totalizer	RP150114RGBS	66 (30)	22 ^{1/8} (56 ^{3/16})	10 (25 ^{3/8})	15 ^{3/4} (40)	832 (842)
RP125114RGDO	47 (21)	15 ^{1/2} (39 ^{3/8})	8 ^{7/8} (27 ^{5/8})	15 ^{1/8} (38 ^{3/8})	833 (843)	Direct Reading Reset Counter with "Zero-Start" Printer and Totalizer	RP150114RGDO	50 (23)	15 ^{1/2} (39 ^{3/8})	8 ^{7/8} (27 ^{5/8})	15 ^{3/4} (40)	833 (843)
RP125114RGA0	43 (20)	15 ^{1/2} (39 ^{3/8})	8 ^{7/8} (27 ^{5/8})	15 ^{1/8} (38 ^{3/8})	831 (841)	Direct Reading Reset Counter and Totalizer	RP150114RGA0	46 (21)	15 ^{1/2} (39 ^{3/8})	8 ^{7/8} (27 ^{5/8})	15 ^{3/4} (40)	831 (841)

DIMENSIONS (Inches)

1/4" TYPE 40



1/2" TYPE 40



Specify Genuine RSM Replacement Parts

1310 Emerald Road
Greenwood, SC 29646
USA
Phone: 1.800.833.3357
Fax: 1.864.223.0341



**RED SEAL
MEASUREMENT**

