



MODEL M0300

BOLT-ON SADDLE FLOW METER

DESCRIPTION

The M0300 Bolt-On Saddle Flow Meter features a fabricated stainless steel saddle with McCrometer's unique drive and register design. The stainless steel saddle eliminates the fatigue-related breakage common to cast iron and aluminum saddles and provides unsurpassed corrosion protection. Fabricated stainless steel construction offers the additional advantage of being flexible enough to conform to out-of-true pipe. The Model M0300 is manufactured to comply with applicable provisions of American Water Works Association Standard No. C704-02 for propeller-type flow meters. As with all McCrometer propeller flow meters, standard features include a magnetically coupled drive, instantaneous flowrate indicator and straight reading, six-digit totalizer.

Impellers are manufactured of high-impact plastic, capable of retaining their shape and accuracy over the life of the meter. Each impeller is individually calibrated at the factory to accommodate the use of any standard McCrometer register, and since no change gears are used, the M0300 can be field-serviced without the need for factory recalibration. Factory lubricated,

stainless steel bearings are used to support the impeller shaft. The shielded bearing design limits the entry of materials and fluids into the bearing chamber providing maximum bearing protection.

The instantaneous flowrate indicator is standard and available in gallons per minute, cubic feet per second, liters per second and other units. The register is driven by a flexible steel cable encased within a protective vinyl liner. The register housing protects both the register and cable drive system from moisture while allowing clear reading of the flowrate indicator and totalizer.

INSTALLATION

Standard installation is horizontal mount. If the meter is to be mounted in the vertical position, please advise the factory. A straight run of full pipe the length of ten pipe diameters upstream and two diameters downstream of the meter is recommended for meters without straightening vanes. Meters with optional straightening vanes require at least five pipe diameters upstream and two diameters downstream of the meter.



Standard register

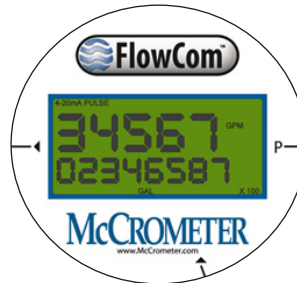
The Mc Propeller flow meter comes with a standard instantaneous flowrate indicator and straight-reading totalizer.

An optional FlowCom register is also available.

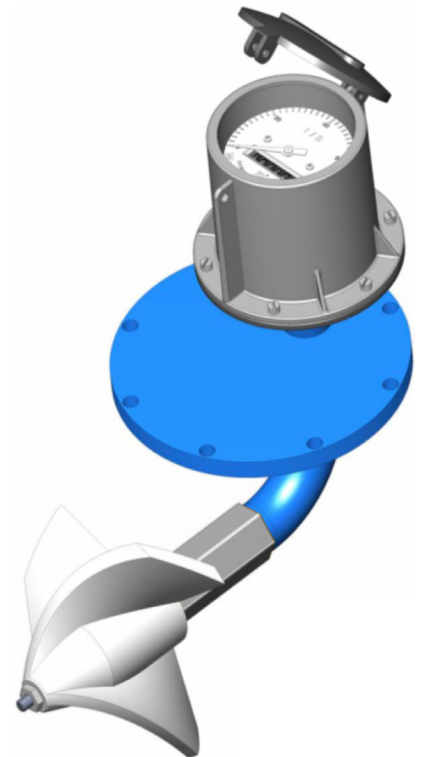
Typical face plates.



Optional 7-wheel totalizer



FlowCom register



APPLICATIONS

- Center pivot systems
- Sprinkler irrigation systems
- Drip irrigation systems
- Golf course and park water management
- Gravity turnouts from underground pipelines
- Commercial nurseries
- Water and wastewater management



3255 WEST STETSON AVENUE • HEMET, CALIFORNIA 92545 USA

TEL: 951-652-6811 • 800-220-2279 • FAX: 951-652-3078

Printed In The U.S.A.

Lit. # 24517-00, Rev. 2.1 / 10-20-17

Copyright © 2012-2016 McCrometer, Inc. All printed material should not be changed or altered without permission of McCrometer. Any published technical data and instructions are subject to change without notice. Contact your McCrometer representative for current technical data and instructions.



MODEL M0300

BOLT-ON SADDLE FLOW METER

PERFORMANCE

ACCURACY/REPEATABILITY: ±2% of reading guaranteed throughout full range; ±1% over reduced range; Repeatability 0.25% or better

MAXIMUM TEMPERATURE: (Standard Construction) 160°F constant

PRESSURE RATING: 150 psi

MATERIALS

BEARING ASSEMBLY: Impeller shaft is 316 stainless steel. Ball bearings are 440C stainless steel

MAGNETS: Permanent type. Alnico.

BEARING HOUSING:

- For models 2" to 16": 304 stainless steel standard, 316 stainless steel optional
For models 18" and larger: Brass standard, 316 stainless steel optional

SADDLE: 304 stainless steel construction

REGISTER: An instantaneous flowrate indicator and six-digit straight-reading totalizer are standard. The register is hermetically sealed within a die cast aluminum case. This protective housing

includes a domed acrylic lens and hinged lens cover with locking hasp.

IMPELLER: Impellers are manufactured of high-impact plastic, retaining their shape and accuracy over the life of the meter. High temperature impeller is optional.

OPTIONS

- Saddle can be constructed to fit any outside diameter pipe dimensions, including metric sizes.
Can be used on a variety of pipe materials such as steel, plastic, cast iron, cement or asbestos cement
Register extensions
All stainless steel bearing assembly
High temperature construction
"Over-Run" bearing assembly for higher than normal flowrates
Electronic propeller meter available in all sizes of this model
A complete line of flow recording / control instrumentation
Blank repair saddle
Canopy boot

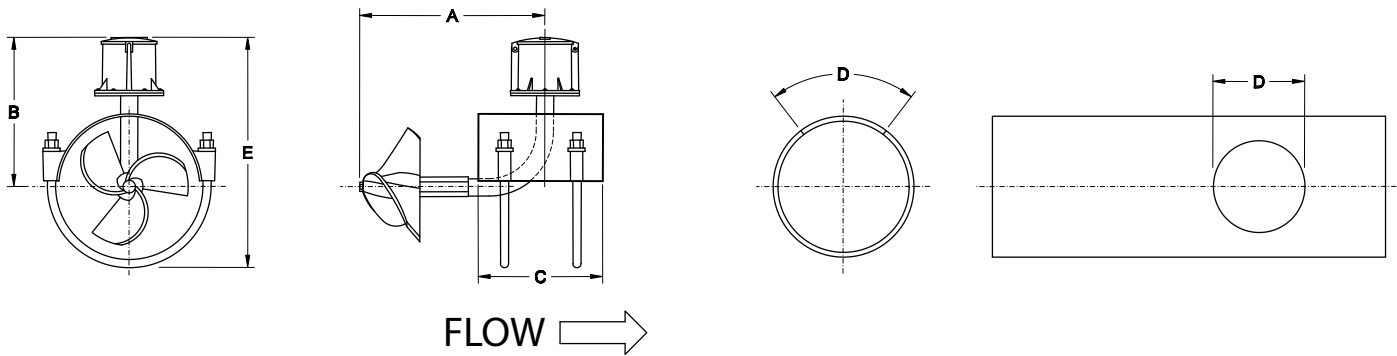


Table with 8 columns: M0300, DIMENSIONS, and 7 pipe size columns (4, 6, 8, 10, 12, 14, 16). Rows include flow rates, head loss, shipping weight, and dimensions A through E.

For larger sizes see Model M1400. McCrometer reserves the right to change design or specification without notice.

*Standard pipe only. For other than standard pipe, consult factory for cutout dimensions.

Please specify the inside diameter of the pipe when ordering.



3255 WEST STETSON AVENUE • HEMET, CALIFORNIA 92545 USA

TEL: 951-652-6811 • 800-220-2279 • FAX: 951-652-3078

Printed In The U.S.A.

Lit. # 24517-00, Rev. 2.1 / 10-20-17

Copyright © 2012-2016 McCrometer, Inc. All printed material should not be changed or altered without permission of McCrometer. Any published technical data and instructions are subject to change without notice. Contact your McCrometer representative for current technical data and instructions.