

Battery Removal Instructions

Battery removal must be undertaken by competent, appropriately trained and authorized personnel. Removal should only be carried out by either the water utility or their approved agents.

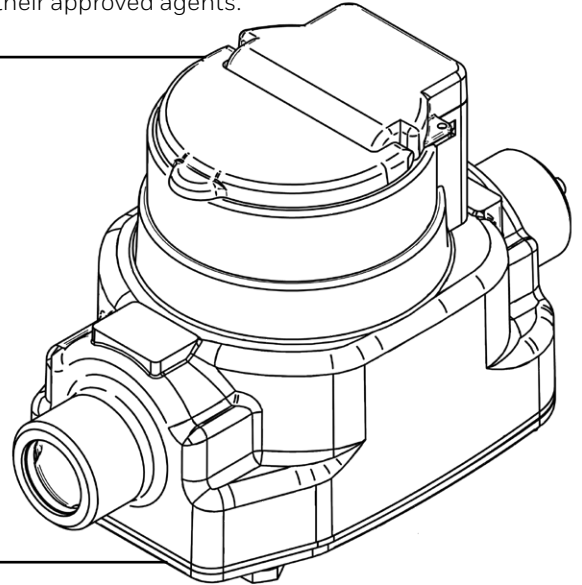
Health & Safety

The battery should be handled with care. Battery type: 2 x AA size, Lithium Thionyl Chloride (Lithium metal).

Warning:

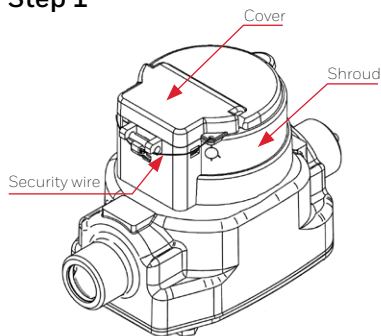
- Risk of fire, explosion and severe burn hazard.
- **Do not** crush, recharge, disassemble, heat above 100 °C (212 °F) or incinerate.
- **Do not** pierce. Exposure to the chemicals contained within could be harmful.
- **Do not** short-circuit.

The battery should be disposed of in accordance with local regulations.



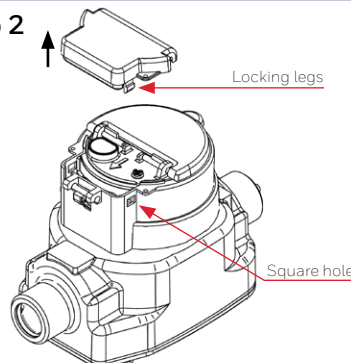
To remove the water meter battery, ensure that the environment is clean and dry to prevent the possibility of a short-circuit, then proceed as follows:

Step 1



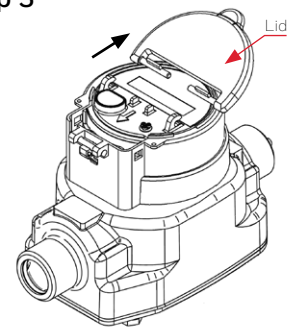
Cut the security wire. Remove the wire & seal from the cover and shroud.

Step 2



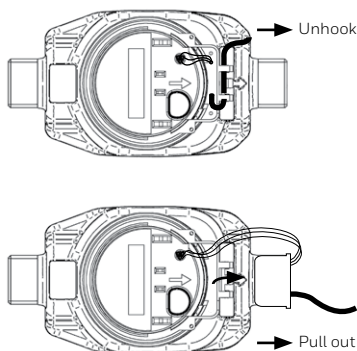
Remove the cover from the locking shroud by carefully depressing the cover locking legs, situated through two square holes at each side of the shroud, and lifting the cover vertically clear.

Step 3



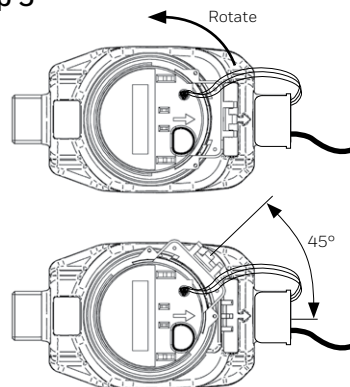
Unclip the lid from the meter in the direction shown.

Step 4



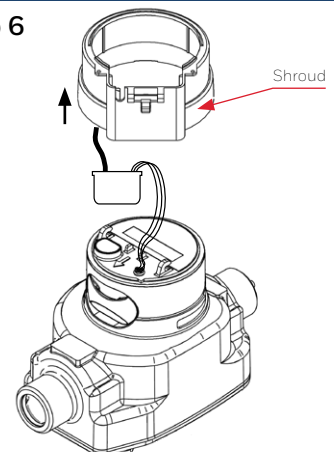
Un-hook cable (if attached) from cable guides then lift and remove wired potting box from the potting box chamber.

Step 5

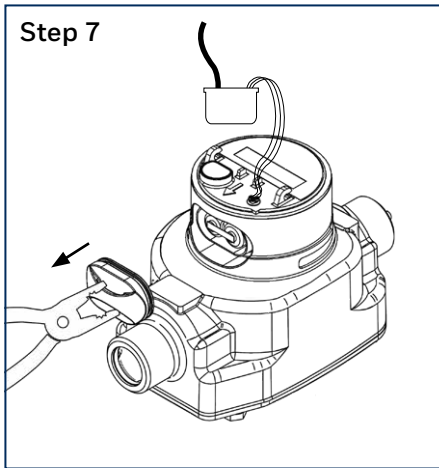


Rotate the shroud 45 degrees counterclockwise.

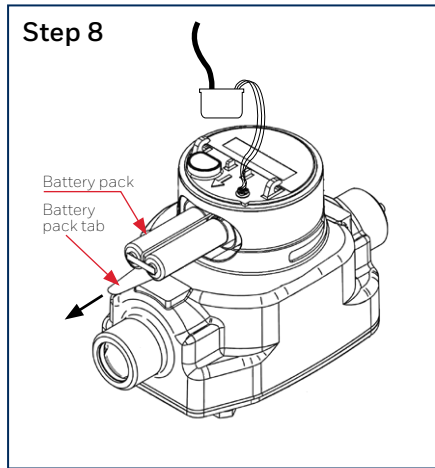
Step 6



Remove shroud vertically upwards from the assembly. The battery cap is now exposed at the outlet end side of the totalizer.

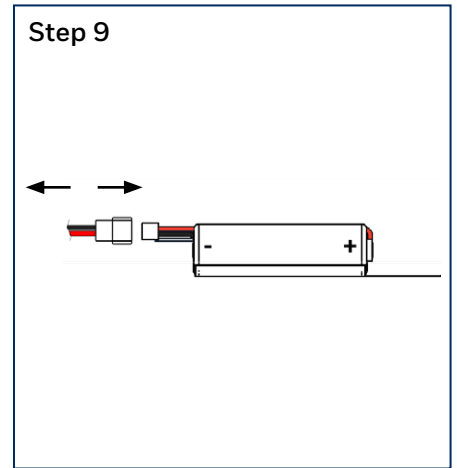


Grip the tab, of the cap, with a pair of pliers and withdraw, breaking the seal as shown.



Remove as much of the sealing gel from around the battery, as possible, to make it easier to withdraw. Holding the battery tab initially & then the battery itself, slowly withdraw from the compartment.

Note: There will be some resistance to withdrawal due to the suction created by the sealing gel. Care should be taken during removal.



Disconnect the battery pack from the meter at the block connector. The battery should be disposed of in accordance with local regulations.

Find out more

WaterMeters@honeywell.com
www.elsteramcowater.com

Honeywell Smart Energy

10 SW 49th Avenue, Bldg. 100
Ocala, FL 34474
T +1 800 874 0890
F +1 352 368 1950

1100 Walker's Line, Suite 302
Burlington, Ontario L7N 2G3
T 866 703 7582
F 905 634 6705
www.HoneywellSmartEnergy.com

D-1001-2
SEW-DS-NAEN-SM700 Battery Removal 01/2018
© 2018 Honeywell International Inc.

Honeywell