



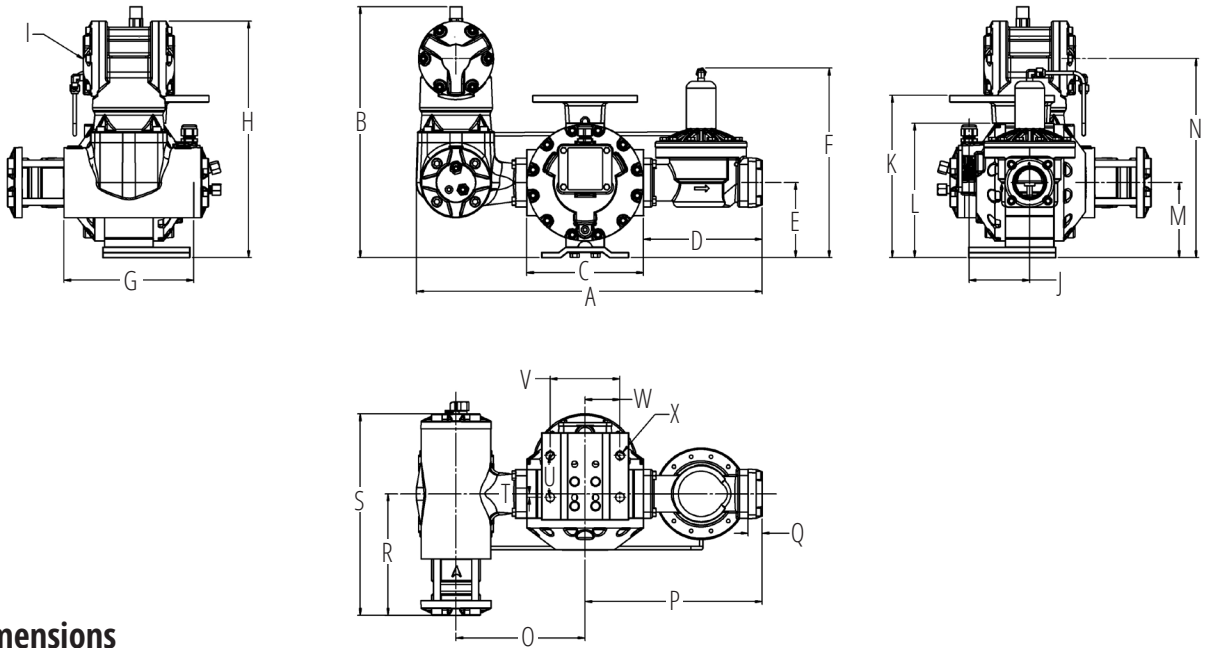
Precision Meter Data

TS20AF83

Electronic Flow Meter

MODELS: TS20AF83

TS20 oval gear positive displacement precision meter with strainer, vapor eliminator, and differential valve. Excellent choice for mobile or stationary dispensing of LPG.



Dimensions

MODEL	A	B	C	D	E	F	G	H
TS20AF83	628.9 MM 24.76 "	456.6 MM 17.98 "	212.7 MM 8.38 "	215.9 MM 8.50 "	136.5 MM 5.38 "	344.7 MM 13.57 "	236.5 MM 9.31 "	430.2 MM 16.94 "
	I ¾-14 NPT	J 110.2 MM 4.34 "	K 295.3 MM 11.63 "	L 244.5 MM 9.63 "	M 136.5 MM 5.38 "	N 362 MM 14.25 "	O 235 MM 9.25 "	P 322.3 MM 12.69 "
	Q 25.4 MM 1.00 "	R 221.4 MM 8.72 "	S 366.4 MM 14.43 "	T 6.4 MM 0.25 "	U 76.2 MM 3.00 "	V 127 MM 5.00 "	W 63.5 MM 2.50 "	X Ø.625 THRU