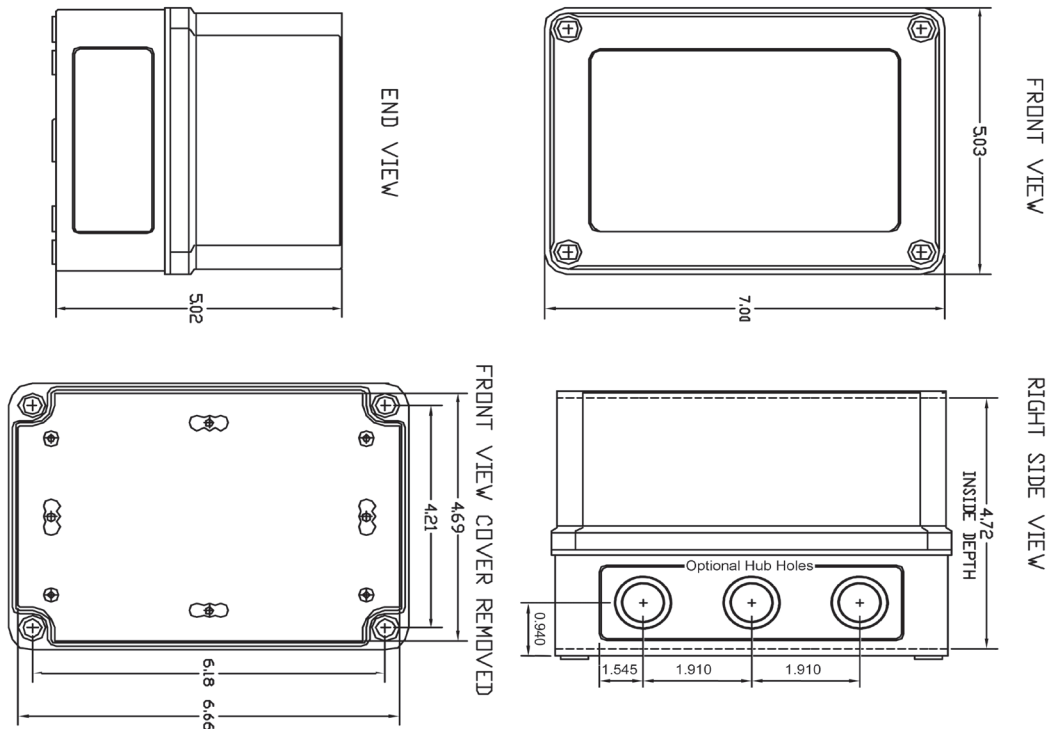


FEATURES:

- Made of impact and corrosive resistant VELOX®, RAL 7035
- Molded internal bosses for back panel, component mounting and DIN-rails
- NEMA4X / IP66 Rating
- UL 508 and CSA Type 4, 4X, 3, 3R, 12, 13 Rating
- Temperature resistance: Base and opaque cover to +248°F (120°C) per UL 746B. Polycarbonate cover -40°F (40°C) to +248° (120°C)
- Non-Metallic cover screws
- Continuously poured polyurethane gasket
- Cover and bases meet with tongue and groove design for tight seal



Dimensions



Ordering Information

Model	Description
ENCT-W	RT Wall Mount Enclosure