



LM51DN ELECTRONIC FLOWMETER

The FLOMEC® LM51DN economy positive displacement meter has a modular design, and is low cost, lightweight and rugged, making it the best choice for overhead reel systems. Perfect for metering engine oils or transmission fluids with a maximum viscosity of 1,000cp.

The electronic register module contains a microprocessor board powered by a lithium battery. It can be programmed to measure in pints, quarts, liters, or US gallons. The meter calibration factor is determined during factory test. The meter can be recalibrated in the field for fluids or different viscosity if required. A 6-digit liquid crystal display, accurate to the second decimal place, shows the exact amount of fluid dispensed. The entire register module is protected from the wear and tear of normal shop use by a rugged, glass filled, shock resistant, nylon housing.

APPLICATIONS

- Motor Oils (SAE 5-50)
- Windshield Wiper Fluid
- Brake Fluid
- Engine Coolant Solutions
- Gear Oils (SAE 80-240)
- Antifreeze (Ethylene Glycol)
- Automatic Transmission Fluid

APPROVALS

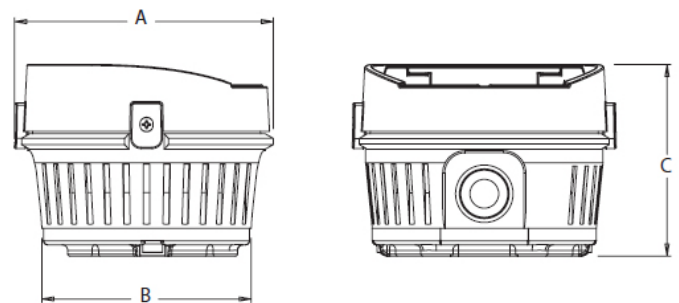


FEATURES / BENEFITS

- 1500 psi rating
- NPT Threads
- Large 6-digit LCD display with two decimal-point precision
- Totalization in pints, quarts, US gallons or liters
- Unit of measure selectable from the front of register
- Resettable and non-resettable totalizer
- Display operation temperature range -4° to $+140^{\circ}$ F (-20° to $+60^{\circ}$ C)
- Low battery indicator
- Long life field replaceable top load battery
- Accuracy of $\pm 0.5\%$
- Calibration factor programmable from front of register
- Calibration factor saved in non-volatile memory

DIMENSIONS

Dimension	Size
A	4.04 inch (102.6mm)
B	3.27 inch (83mm)
C	2.99 inch (75.8mm)



SPECIFICATIONS

Model Number:	LM51DN	
Inlet & Outlet Connections:	1/2 inch NPTF	
Min.-Max. Flowrate:	0.25 GPM - 8 GPM	1 LPM - 30 LPM
Accuracy (% of Reading):	$\pm 0.5\%$	
Pressure Rating (Min.-Max.):	5 PSI - 1500 PSI / 0.35 BAR - 103 BAR	
Operating Temperature Range:	-4° F to $+140^{\circ}$ F (-20° C to $+60^{\circ}$ C)	
Weight:	2.0 lb (0.9kg)	

Service & Warranty: For technical assistance, warranty replacement or repair contact your **FLOMEC®** or **GPI®** distributor: In North or South America: **888-996-3837 / GPI.net**
Outside North or South America: **+61 2 9540 4433 / flomec.com.au**

Wichita · Sydney · Mexico City

GREAT PLAINS INDUSTRIES 